



**AUTOMAT**  
*Creating a Green World*

New

# PVC Compact Valves

1/2", 3/4", 1", 1 1/4", 1 1/2", 2", 2 1/2" & 3"

Engineered for precision and durability, our PVC Compact Ball Valves are the ideal choice for a wide range of agricultural, horticultural and industrial applications. These valves offer reliable and long lasting performance in compact, space-saving designs.

## HIGHLIGHTS

- **Durable PVC Construction:** Manufactured using high-quality Poly Vinyl Chloride (PVC) for long-lasting performance.
- **Versatile Connection Options:** Available in BSP, NPT, and BSPT threaded connections or solvent-glued socket ends-compatible with ISO, ANSI, BS, JIS and DIN standards.
- **Smooth & User-Friendly Operation:** Ergonomic handle design ensures low operational torque for easy, effortless use.
- **UV Stabilized & Corrosion Resistant:** Built to withstand harsh sunlight and corrosive environments, ensuring long service life.
- **Reliable & Long-Lasting Performance:** Engineered for consistent leakproof operation and enhanced durability.

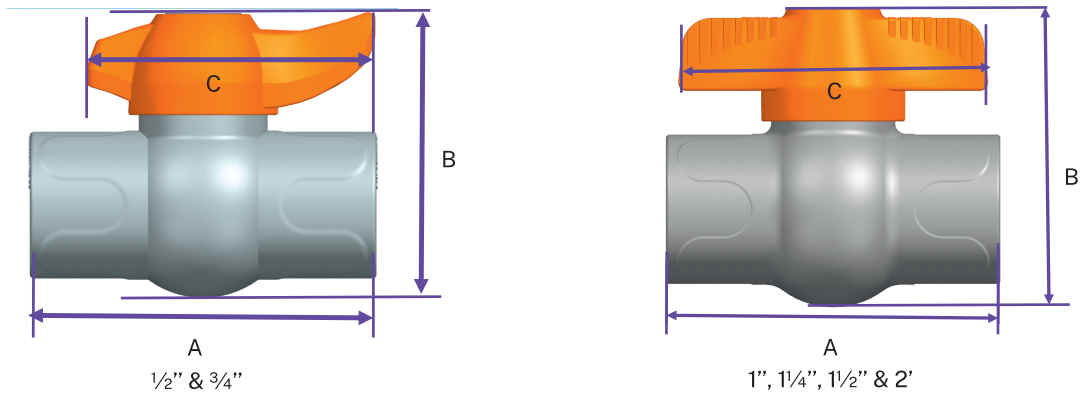


## APPLICATIONS

- **Irrigation Head Control Units:** Efficient flow regulation and shut-off in main irrigation assemblies.
- **Nurseries and Greenhouses:** Ideal for controlled water distribution in sensitive plant environments.
- **Fertigation Systems:** Suitable for precision mixing and flow control of water-soluble nutrients.
- **Industrial and Utility Water Lines:** Adaptable for use in non-agricultural water management and control systems.

## TECHNICAL SPECIFICATIONS

- Ideal for application in temperature below 50°C.
- PN 10 pressure rating.

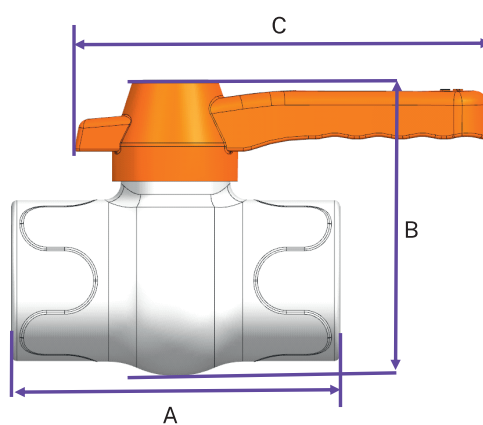


### Dimension in mm (Short Handle)

Model No.	D	DN	PN	A	B	C
AQ-661BVGS / WS	1/2"	15	10	69.5	55	60.5
AQ-662BVGS / WS	3/4"	20	10	84.5	70.5	70.5
AQ-663BVGS / WS	1"	25	10	96	88	89
AQ-664BVGS / WS	1 1/4"	32	10	112	95.5	110
AQ-665BVGS / WS	1 1/2"	40	10	120	109	109
AQ-666BVGS / WS	2"	50	10	132	123.5	120.5

GS: Grey Body with Short Handle | WS: White Body with Short Handle

### Long Handle



Long Handle : 1", 1 1/4", 1 1/2", 2", 2 1/2" & 3"

### Dimension in mm (Long Handle)

Model No.	D	DN	PN	A	B	C
AQ-663BVGL / WL	1"	25	10	96	88	136.5
AQ-664BVGL / WL	1 1/4"	32	10	112	95	136.5
AQ-665BVGL / WL	1 1/2"	40	10	120	108	152
AQ-666BVGL / WL	2"	50	10	132	122	170
AQ-667BVGL / WL	2 1/2"	65	10	166.7	158	205.5
AQ-668BVGL / WL	3"	80	10	214	189	226

GL: Grey Body with Long Handle | WL: White Body with Long Handle